

Technical specifications

Model	HT3200UV	
Printhead	Ricoh GEN6(3-row)	
Quantity of printhead	4-8 Pcs	
Resolution	1200 * 1200 DPI	
Print speed	Draft	93 m ² /h
	Production	80 m ² /h
	Quality	55 m ² /h
Print mode	Unidirectional & Bidirectional	
Max. print width	3200 mm	
Max. media thickness	50 mm	
Media type	Soft films, car stickers, coated banners,PVC boards, KT boards etc.	
Ink	Environmental friendly UV (VOC free)	
Ink color	C, M, Y, K, Lc, Lm, V, W	
Machine size (L*W*H)	6190 * 1590 * 1560 mm	
Machine net weight	2260 KG	
Machine gross weight	3130 KG	
Power consumption	9 kW (20 A)	
Power supply	400 VAC.50 Hz 3P/N/PE	
RIP support	Caldera	
UV curing	Water-cooled UV_LED Lamp	
Interface	High-speed PCIE	
Environment	Separated workroom in good cleaning and ventilated condition, avoid direct sunlight Temperature: 18 - 30°C (64 - 86 °F) Constant humidity: 30 - 70% (non-condensing)	

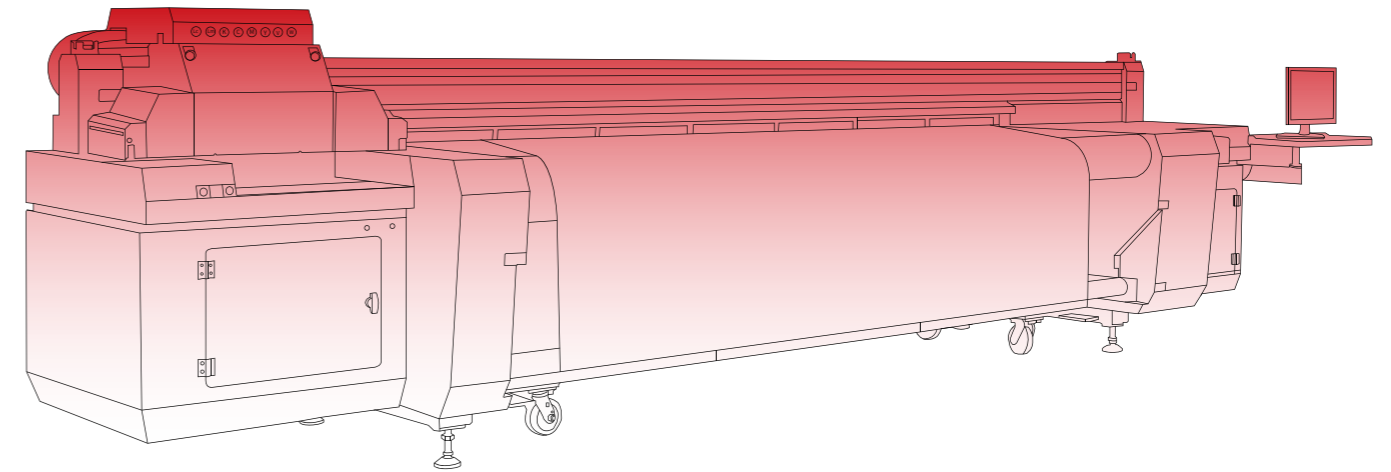
HT3200UV Hybrid Printer

3-row Ricoh Linear Motor Arrangement

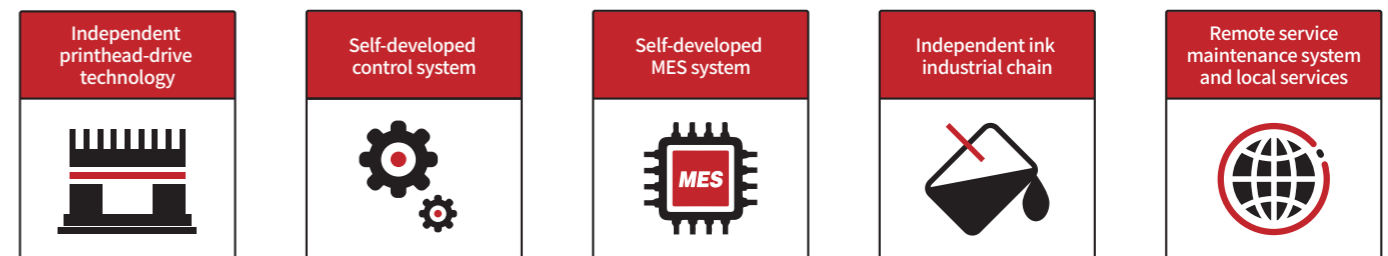
Max print width: 3200 mm

Max productivity: 93 m²/h

Max resolution: 1200 * 1200 DPI



Industrial Digital Printing Solution Provider



© Above information for reference and subject to change without notice. Shenzhen HandTop Tech Co., Ltd all rights reserved.



Shenzhen HandTop Tech Co., Ltd

Address: No.39 Qingfeng Road, Baolong Street, Longgang District, Shenzhen
(2-3/F, Building C, Jingmida Digital Culture Industry Park - HanGlory Group)

Tel: +86 0755-27960460 Website: www.hanglorygroup.com/en

Fax: +86 0755-23217841 Email: info@hanglorygroup.com

HT3200UV hybrid printer

3-row Ricoh Linear Motor Arrangement

HT2512UV and HT3200UV are different format UV printers that HandTop has introduced to the market, both using the new three-row Ricoh linear motor arrangement. The application of HandTop 3-row Ricoh arrangement is mature. It is equipped with a new agent ricoh GEN6. What's more, its speed is faster, output productivity is increased by more than 50%, accuracy is higher, and ink droplets are reduced to 5pl. In addition, the linear motor arrangement is upgraded again, which improves the high quality, high productivity and high service life of GEN6 nozzle to a new level.

RICOH

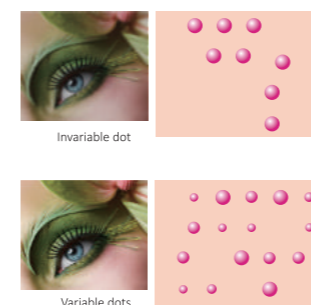


3-row ricoh arrangement superiorities:

- Realize the synchronous output of high-efficiency white, color and varnish, and the varnish effect is smooth and delicate, far exceeding the average level of the industry
- The flatbed printer has independent white control function, and printing color white is more than ordinary configuration, increasing the productivity by 1 time
- The printable media are diversified, including signs, acrylic, PVC board, KT board and other diversified applications

Ricoh Gen6 Printhead

Nozzle quantity : 1280
Physical Resolution : 600 DPI
Pico-liter : Variable 5-10-15 pl
Max Operating Frequency : 50 kHz
Effective Print Width : 54.1 mm



Linear motor superiorities:

- No mechanical contact, longer lifetime
- High precision, max accuracy reaches to sub-micro level
- Silent movement, more stable, guaranteed fine-art printing
- Premium running speed, high carriage speed up to 1.5m/s
- Simple structure, easy maintenance