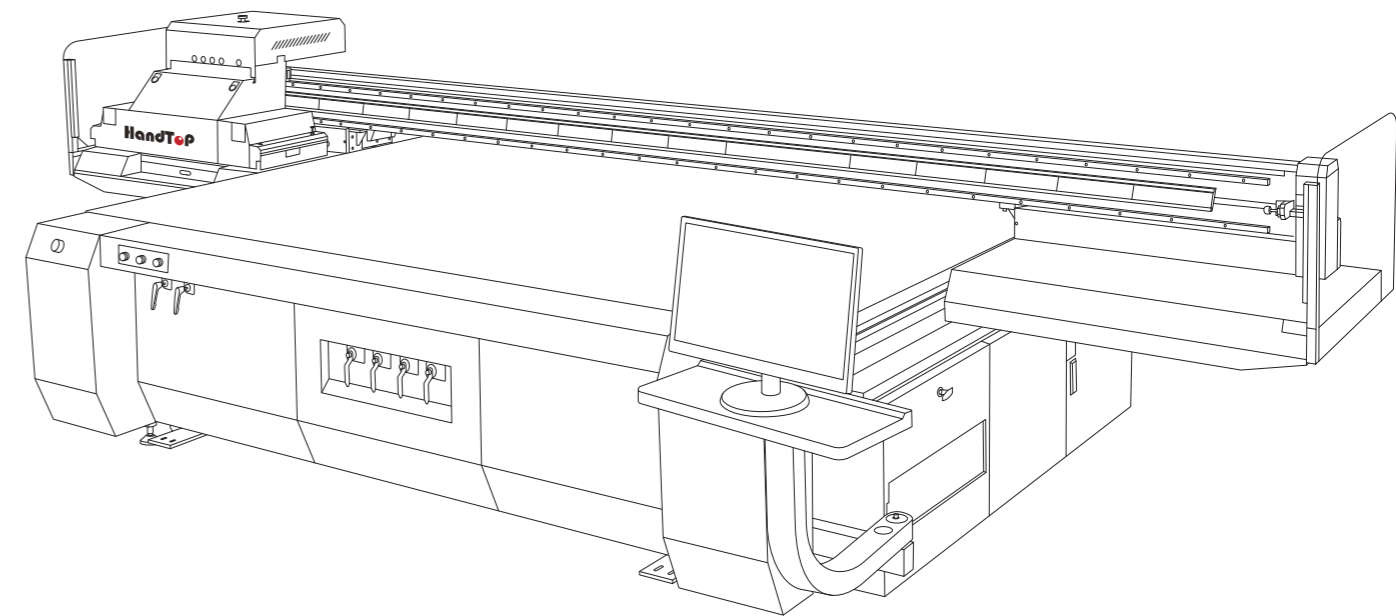


Specifications

Model	HT3020UV	
Printhead	Ricoh Gen6	
Quantity of printhead	2 - 16 pcs (4 - row)	
Resolution	1200 * 1200 DPI	
Print speed	Draft mode	94 m ² /h
	Production mode	82 m ² /h
	High resolution mode	60 m ² /h
Print mode	Unidirectional & Bidirectional	
Max print width	3 m * 2 m	
Max media thickness	100 mm	
Media type	Phone cases, glass, acrylic, planks, tiles, metal plates, PVC boards, corrugated boards, plastics, marble, wallpaper, light box fabrics, PC, ABS, 3C, etc.	
Ink	Environmental friendly UV/LED curable ink (VOC free)	
Ink color	C, M, Y, K, Lc, Lm, W, V	
Image format	Adobe Postscript Level3, PDF, JPEG, TIFF, EPS, AI	
Machine size(L*W*H)	5.22 m * 3.24 m * 1.38 m	
Machine net weight	1520 KG	
Machine gross weight	2330 KG	
Power consumption	8.3 kW (20 A)	
Power supply	400 VAC.50 Hz 3P/N/PE	
Certification	CE, FCC	
RIP support	Caldera	
UV curing	Water-cooled UV_LED Lamp	
Interface	High Speed PCIE	
Environment	Seperated workroom in good cleaning and ventilated condition, avoid direct sunlight Temperature: 18 - 30°C (64 - 86°F), Constant Humidity: 30 - 70% (non-condensing)	

HT3020UV

UV FLATBED PRINTER



High-speed & Large Format Flatbed Printing Solutions

Industrial Digital Printing Solution Provider

<p>Independent printhead-drive technology</p>	<p>Self-developed control system</p>	<p>Self-developed MES system</p>	<p>Independent ink industrial chain</p>	<p>Remote service maintenance system and local services</p>
---	--------------------------------------	----------------------------------	---	---



Shenzhen HandTop Tech Co.,Ltd

Add: No.39 Qingfeng Road, Baolong Street, Longgang District, Shenzhen (2-3/F, Building C, Jingmida Digital Culture Industry Park - HanGlory Group)

Tel: +86 0755-23080896 **E-mail:** info@hanglorygroup.com

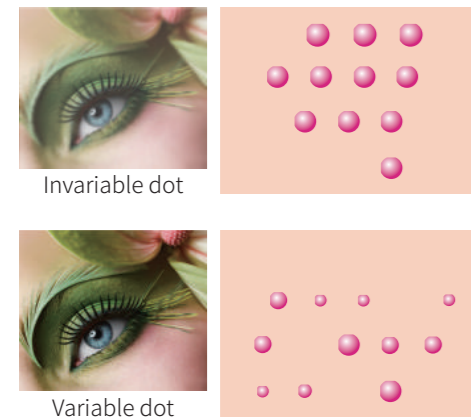
Fax: +86 0755-23217841 **Web:** www.hanglorygroup.com/en

© The above information is for reference only. Shenzhen HandTop Tech Co.,Ltd. reserves the right of final interpretation. Descriptions, illustrations and specifications here of are subject to change without prior notice. Final details shall be subject to contract signed.

Create Value for Customers; Be A World-leading Manufacturer of Smart Digital Printing Equipment.

- Diversified product configuration and application solution can match the different demand in advertising, signs, exquisite gifts, phone cases, furniture, building materials, decoration and other industries.
- Top-level R&D team ensures prompt optimization and upgrade for new products and keep advanced technology in digital printing field.

- Strong worldwide after-sales service team quickly shoots your problem.
- Reliable stability combines the outstanding printing quality and speed performance.
- High cost-value product brings you more business.



Grayscale Inkjet Technology

Grayscale printing not only saves the cost of ink but also makes the image more delicate, the color brighter. Thus it improves the performance of the pictures and makes them more impressive.

Ricoh Gen6 Printhead

Nozzle Quantity : 1280
 Physical Resolution : 600 DPI
 Pico-litter : Variable 5-10-15 pl
 Max Operating Frequency : 50 kHz
 Effective Print Width : 54.1 mm



Stable and Reliable Production Performance

Automatic Negative Pressure System

- Using PCB board to control negative pressure, setting the negative pressure data from software.

Water-cooled UV_LED Lamp

- Instant curing of UV ink for fast production. Flexible to be controlled during printing.

Ricoh Gen6

- Featuring variable dots, true grayscale imaging 5,10, and 15pl.

Auto Height Detection System

- Automatically detects the height of media up to 100mm thickness and calibrates print head distance for variable dot placement and image quality.

Controllable Suction Area

- Adjusted according to the actual situation, and supports two-way adjustment of suction and blowing.

Integrated Software Functions

- Allow users to adjust all functions in the software, and print on one side of RIP to improve efficiency.

Static Suppression (optional)

- Optional static suppression kit that eliminates static on the substrate.

High Quality Original Imported Accessories

- Accessories are purchased from top global suppliers such as Japan, Germany and Italy.